

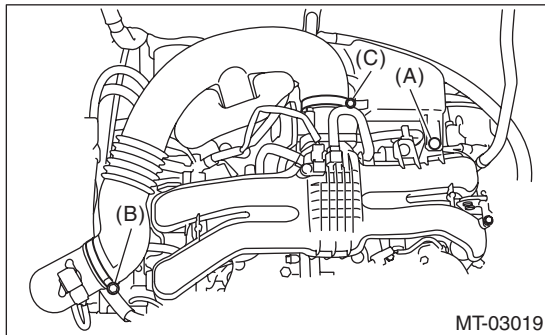
5. Operating Cylinder

A: REMOVAL

CAUTION:

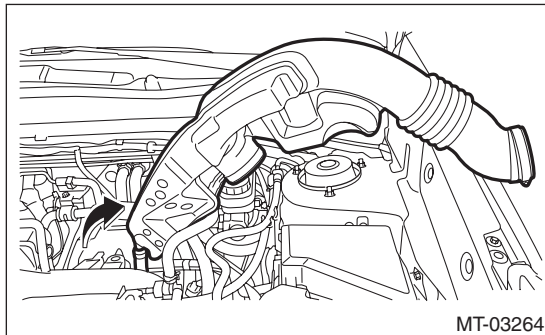
Clutch fluid spilled on the vehicle body will harm the paint surface; wash it off with water and wipe clean quickly if spilled.

- 1) Remove the clip (A) from the air intake boot.
- 2) Loosen the clamp (B) connecting the air intake boot and air cleaner case (rear).
- 3) Loosen the clamp (C) which connects the air intake boot and throttle body.



MT-03019

- 4) Remove the air intake boot from the throttle body, and move it to the left side wheel apron.

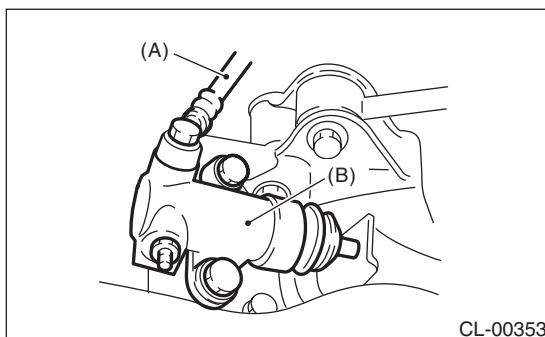


MT-03264

- 5) Disconnect the clutch hose.

CAUTION:

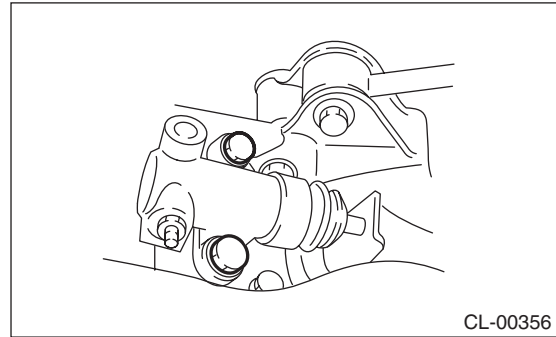
Cover the hose joint to prevent the clutch fluid from flowing out.



CL-00353

- (A) Clutch hose
- (B) Operating cylinder

- 6) Remove the operating cylinder.



CL-00356

B: INSTALLATION

- 1) Install in the reverse order of removal.

NOTE:

- Before installing the operating cylinder, apply grease to the contact point of the release lever and operating cylinder.

Grease:

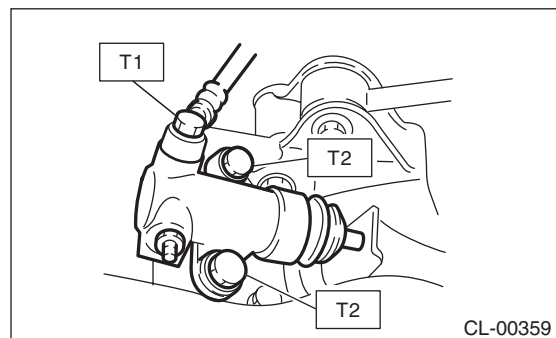
NICHIMOLY N-130 or equivalent

- Be sure to install the clutch hose with the mark side facing upward.
- Be careful not to twist the clutch hose during installation.
- Use a new gasket.

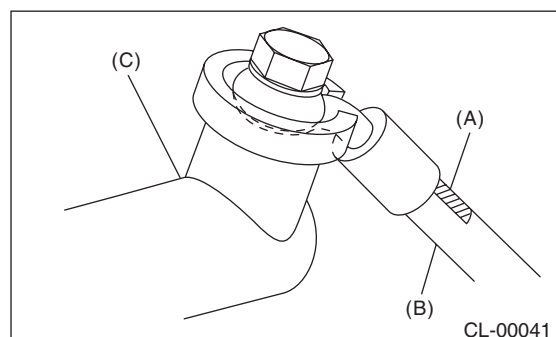
Tightening torque:

T1: 18 N·m (1.8 kgf-m, 13.3 ft-lb)

T2: 37 N·m (3.8 kgf-m, 27.3 ft-lb)



CL-00359



CL-00041

- (A) Mark
- (B) Clutch hose
- (C) Operating cylinder

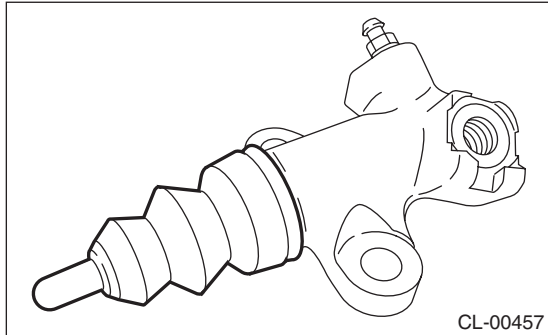
Operating Cylinder

CLUTCH SYSTEM

2) After bleeding air from the operating cylinder, ensure that the clutch operates properly. <Ref. to CL-23, Clutch Fluid Air Bleeding.>

C: DISASSEMBLY

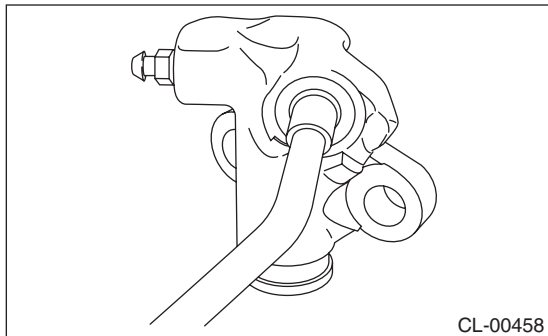
1) Remove the boot and push rod.



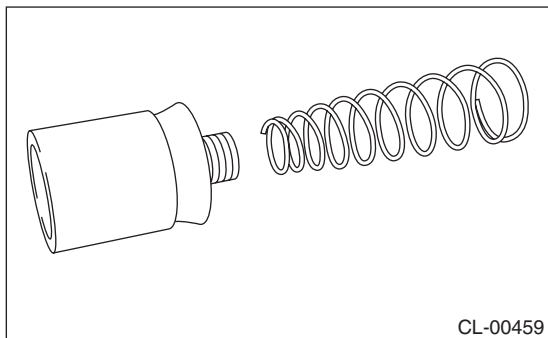
2) Apply compressed air through clutch hose attachment hole.

NOTE:

Face the piston hole down and place a piece of wood underneath to prevent the piston from popping out.



3) Separate the piston and piston spring.



D: ASSEMBLY

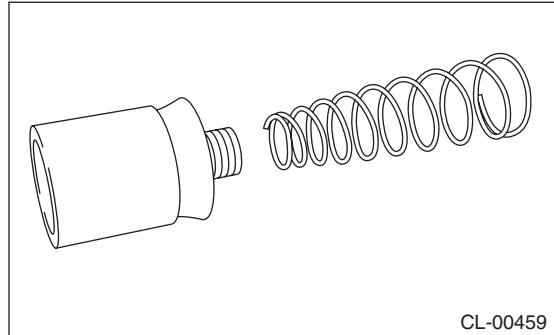
NOTE:

During assembly, apply hydraulic oil to all parts.

Recommended clutch fluid:

New FMVSS No. 116 DOT3 or DOT4

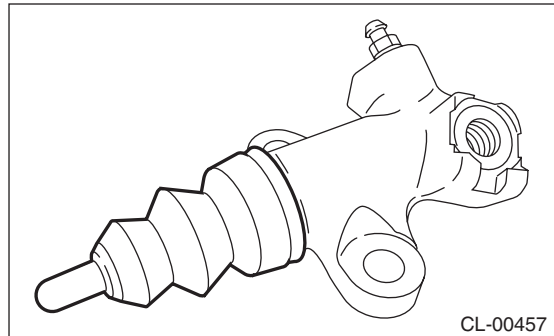
1) Install the piston spring.



2) Insert piston into the operating cylinder.

3) Install push rod to the boot.

4) Install the boot and push rod.



E: INSPECTION

1) Check that the operating cylinder is not damaged. Replace the operating cylinder if it is damaged.

2) Check the clutch fluid leakage on the operating cylinder or the boot for damage. Replace the operating cylinder if clutch fluid leaks or boot damages are noted.